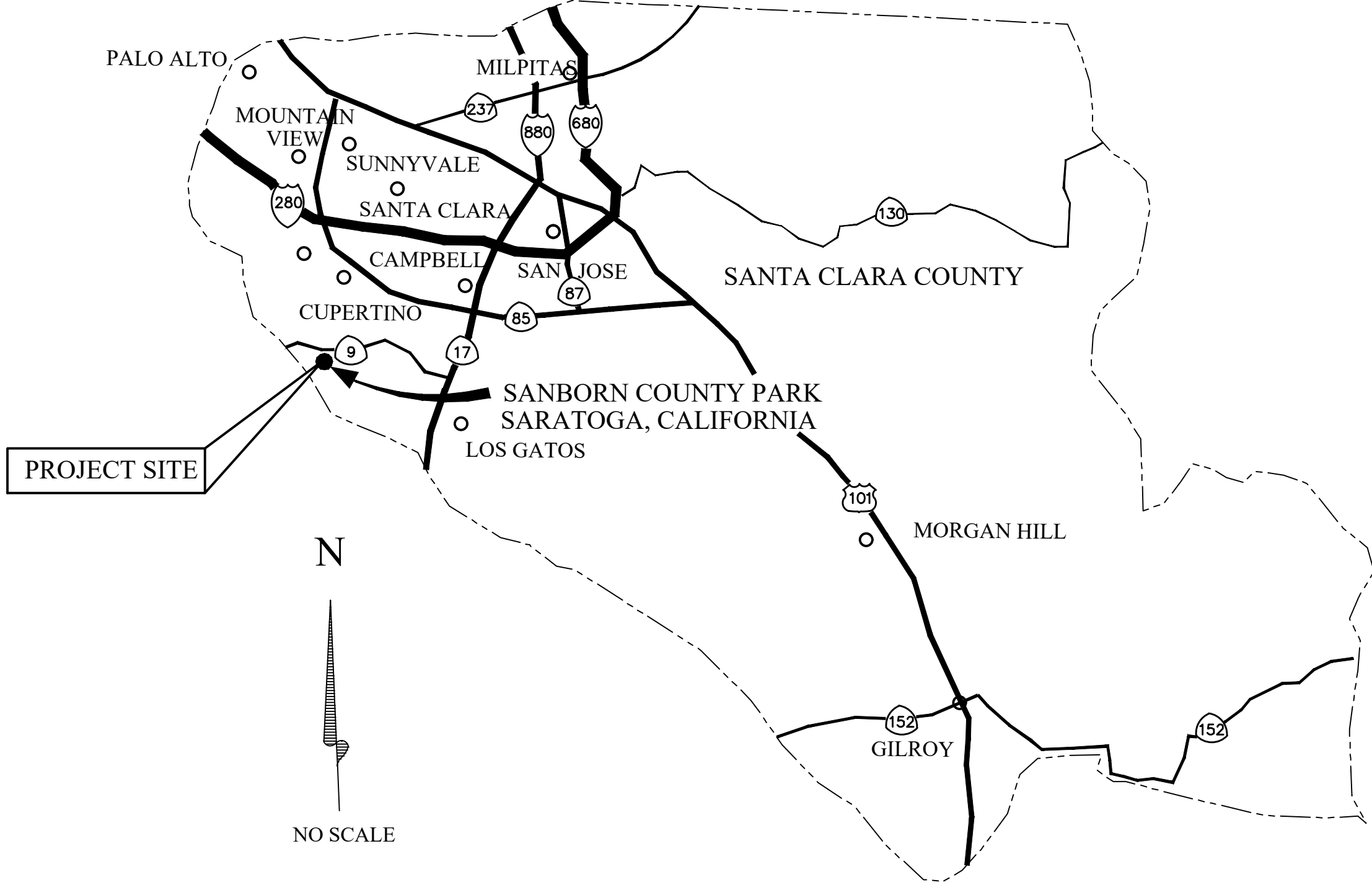
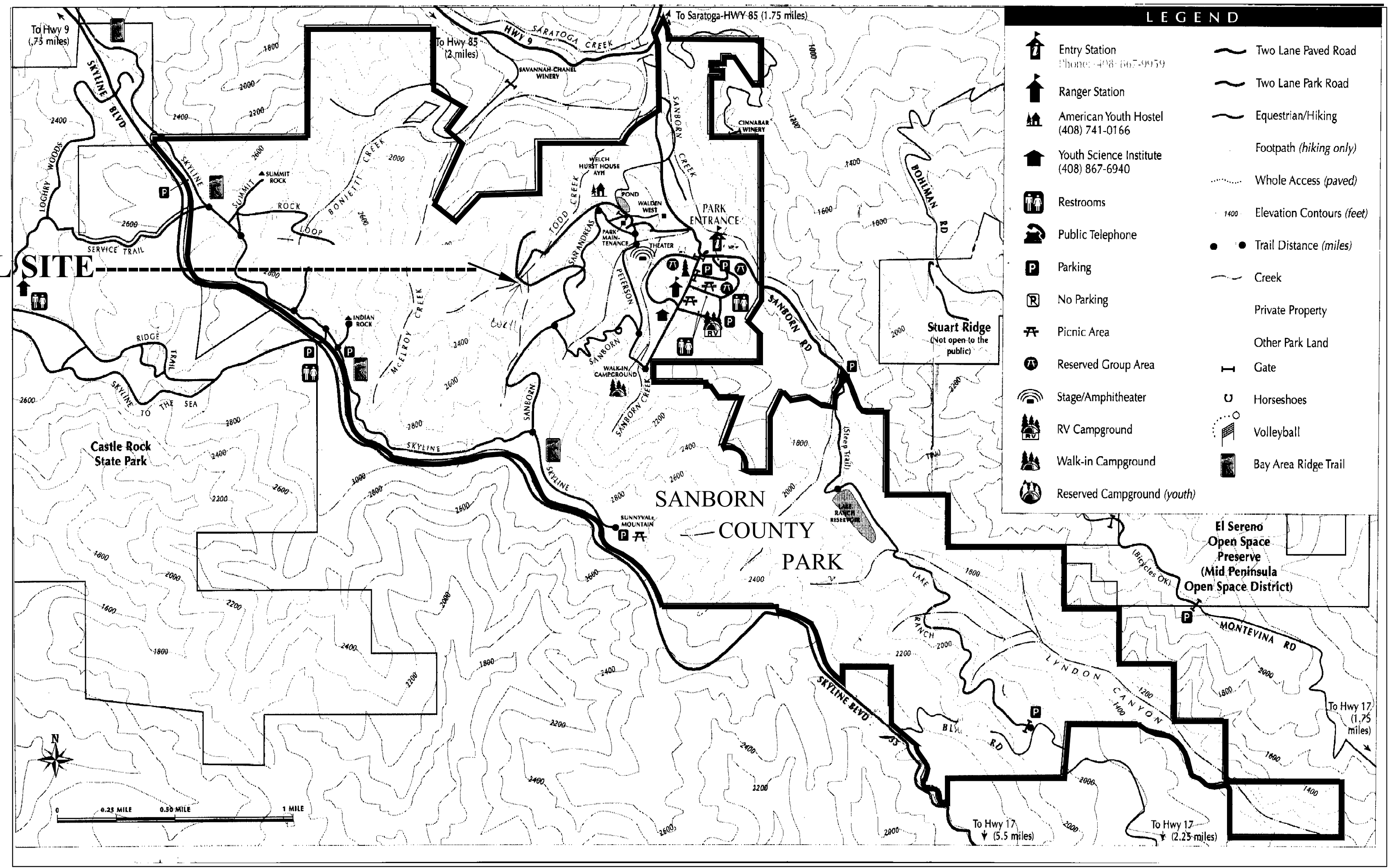


**SANTA CLARA COUNTY
OFFICE OF EDUCATION
PLANS FOR THE CONSTRUCTION OF
WALDEN WEST TANK & PUMP STATION
WATER SYSTEM IMPROVEMENTS
SANBORN COUNTY PARK
SARATOGA, CALIFORNIA**



LOCATION MAP
not to scale

WALDEN WEST WELL SITE



**WALDEN WEST SITE
SANBORN COUNTY PARK VICINITY MAP**
SCALE 3" = 1 MILE

INDEX OF DRAWINGS

- SHEET 1 Cover Sheet
- SHEET 2 Details

**Freitas + Freitas
Engineering and Planning Consultants
3233 Valencia Street A1
Aptos, CA 95003
(831) 251-3552 Phone**

Under the Direct Supervision of:

Michael J. Freitas
Michael J. Freitas, R.C.E. 23345

LEGEND

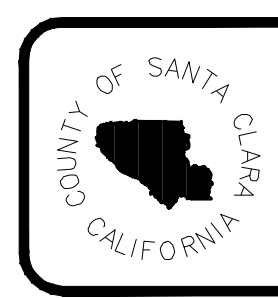
- ← Indicates Detail Number
- ← Indicates Sheet Number



Michael J. Freitas

FREITAS + FREITAS
Engineering and Planning Consultants
3233 Valencia Street A1, Aptos, CA 95003 (831) 688-1168

DESIGNED	Mike				
DRAWN	Digital Graphics				
CHECKED					
JOB	22017	1	Add chlorine sample tap locations	mike	8/14/24
NO.			REVISION	BY	APPROV. DATE



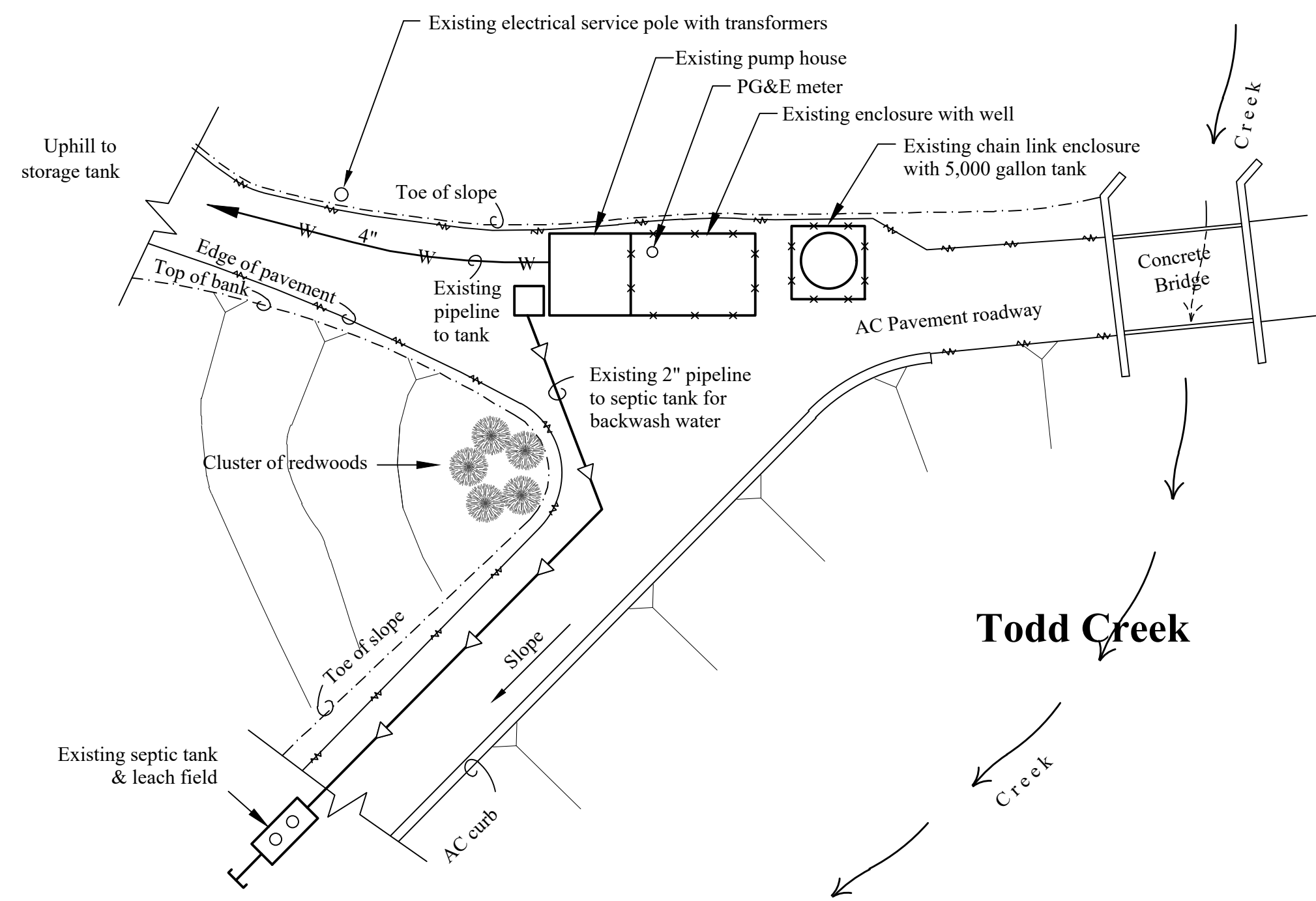
**County of Santa Clara
OFFICE OF EDUCATION**

Submitted: _____ Approved: _____

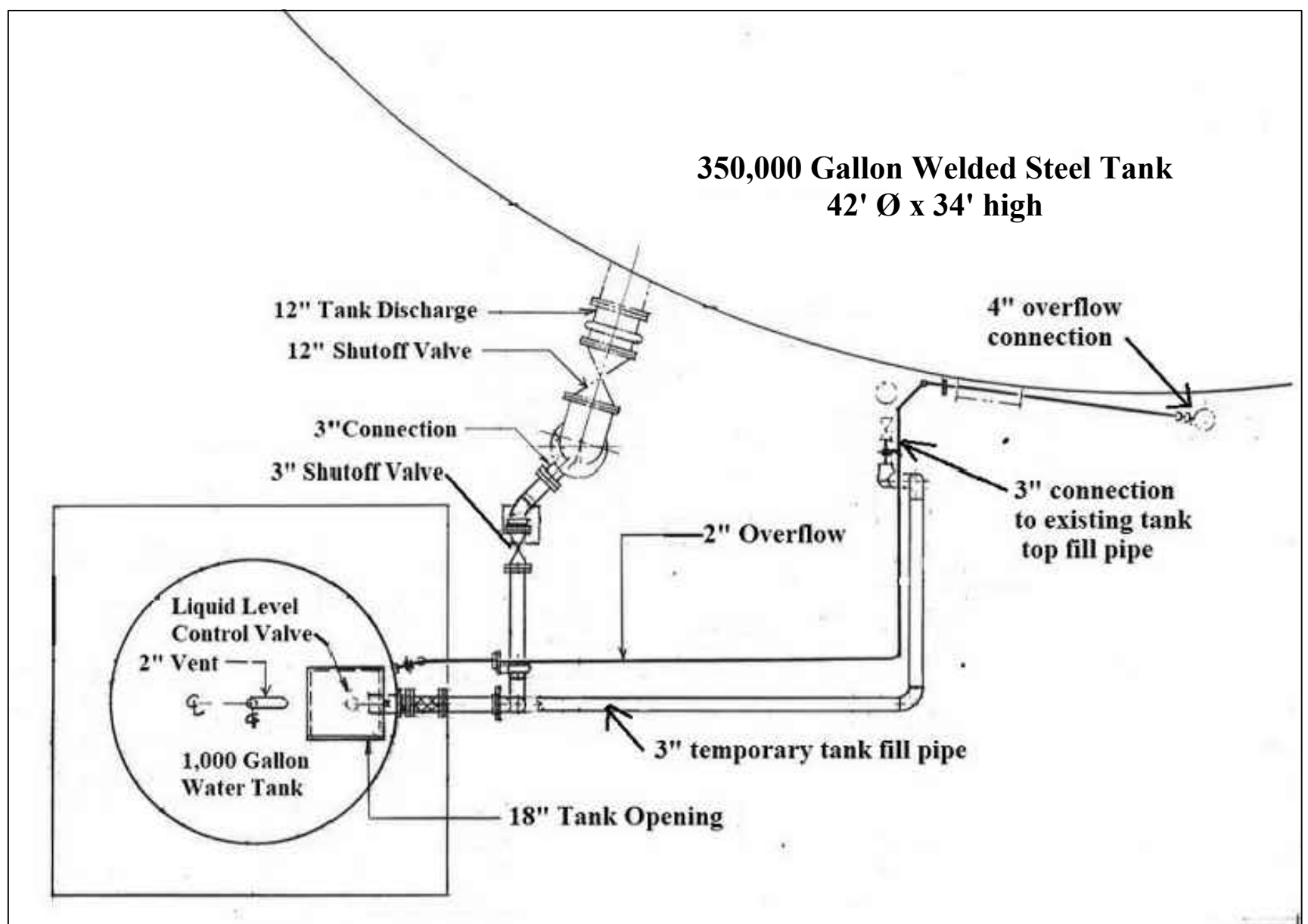
**COVER SHEET
WATER SYSTEM IMPROVEMENTS
WALDEN WEST SITE
SANBORN COUNTY PARK**

SHEET NO.
1 of 2
DATE May 2024

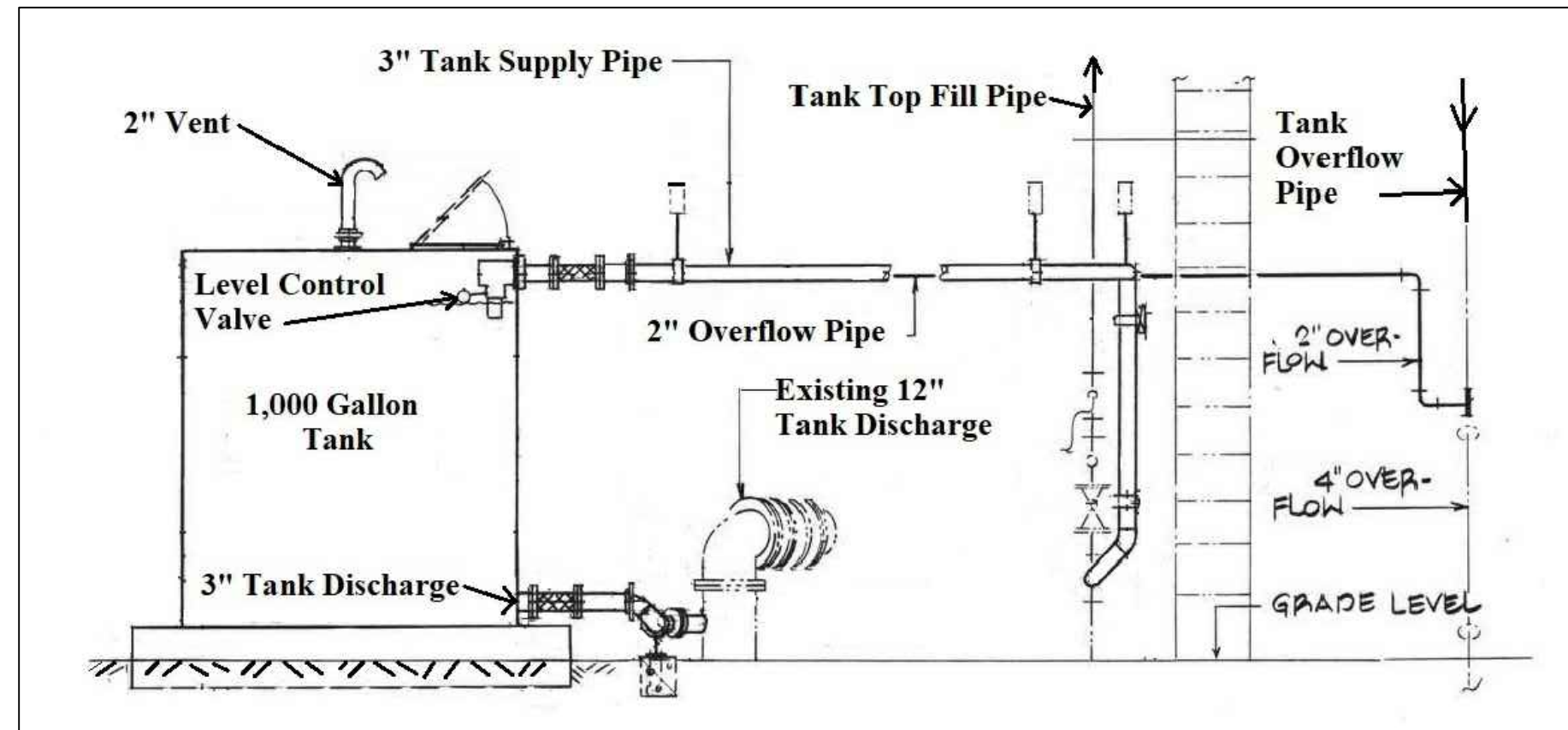
D:\Freitas\Sanborn Walden West.dwg, 4/23/2024 4:01:30 PM, ARCH full bleed D (24.00 x 36.00 inches)



**LOCATION PLAN
WALDEN WEST WELL SITE** ①
Scale 1" = 20'±

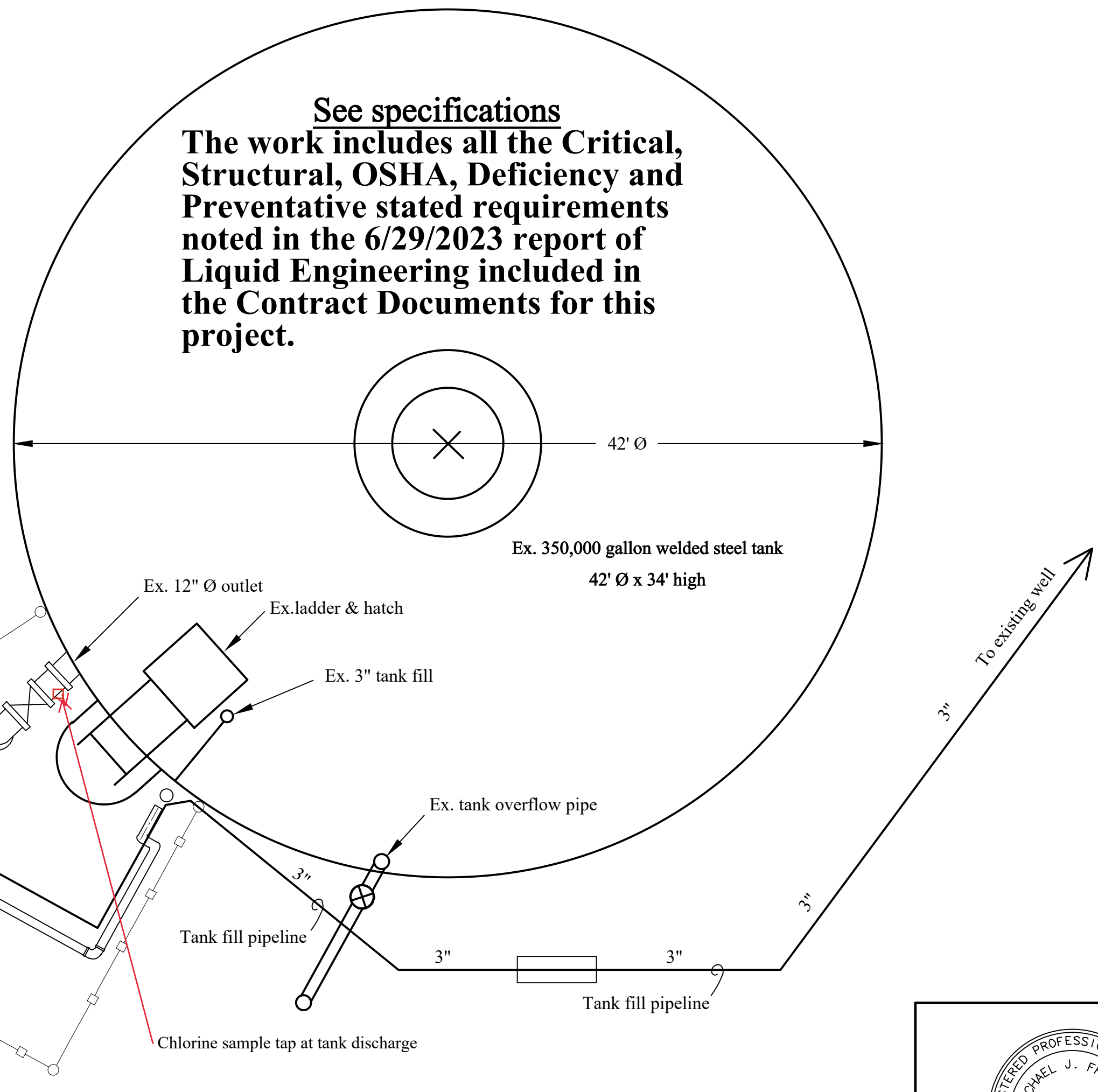


PLAN OF 1,000 GALLON TANK & PIPING ④
not to scale

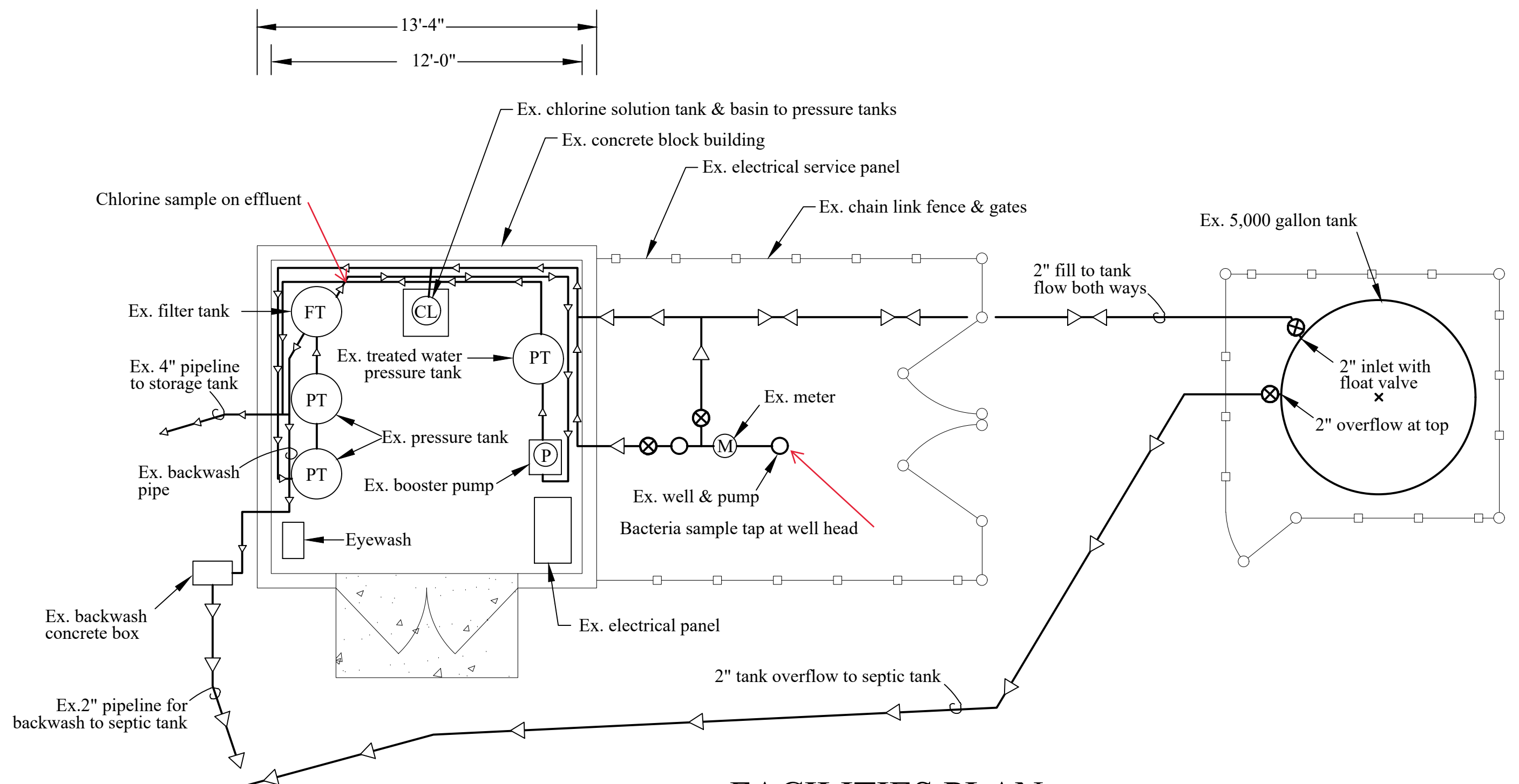


ELEVATION OF 1,000 GALLON TANK & PIPING ⑤
not to scale

This zone chlorine sample tap located at the system zone pump station at the school site.



EXISTING TANK PLAN ③
Scale 1" = 5'-0"



**FACILITIES PLAN
WALDEN WEST WELL SITE** ②
Scale 1/4" = 1'-0"



Michael j. Freitas

D:\Freitas\Sanborn Walden West.dwg, 4/23/2024 4:03:08 PM, ARCH full bleed D (24.00 x 36.00 inches)

DESIGNED	Mike			
DRAWN	Digital Graphics			
CHECKED				
JOB	22017			
NO.	1	REVISION	ADD chlorine sample tap locations	BY: mike DATE: 8/14/24

